



NETWORKING COMPONENTS

COAXIAL CONNECTORS


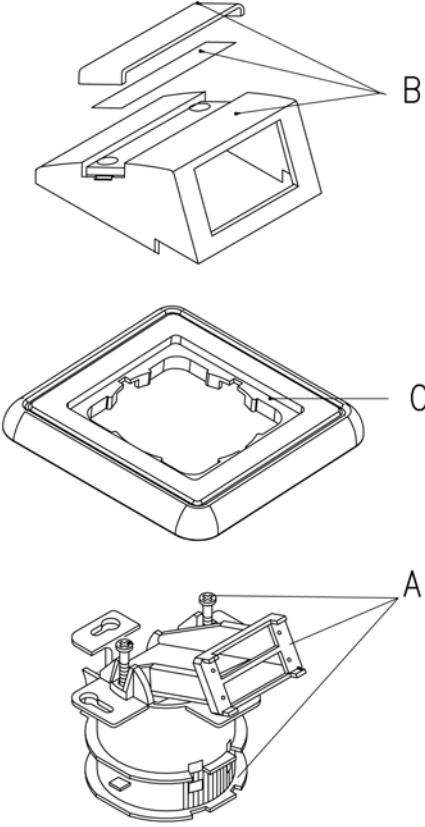
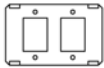




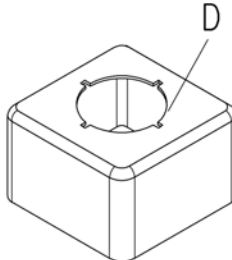
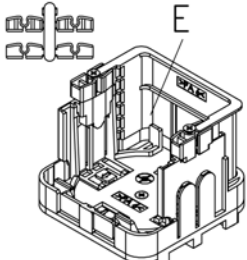
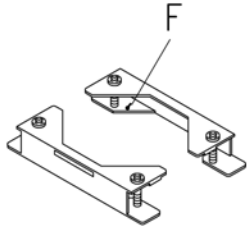
CABLE ASSEMBLIES

PRECISION TURNED PARTS

PLASTIC INJECTION MOULD PARTS

INDUSTRIAL ELECTRONICS

Abbildungen (Figures) OAD/S

<p>A1</p>  <p>2x SC-Duplex 2x ST-Duplex 2x ST/SC-Duplex Adapter</p>		
<p>A2</p>  <p>2x SC 2x ST/SC Adapter 2x MT-RJ 2x LX 5</p>		
<p>A3</p>  <p>2x E2000 Compact RJ</p>		
<p>A4</p>  <p>2x LC-Duplex</p>		
<p>A5</p>  <p>2x MT-RJ Jack</p>		
<p>A6</p>  <p>2x E2000</p>		
 <p>D</p> <p>AP-Set Set for surface mounting</p>	 <p>E</p> <p>Universal-Geräteeinbauträger für Brüstungskanäle Universal fixing device for data channel</p>	 <p>F</p> <p>Befestigungssatz OAD/S Fixing set OAD/S für/for Ackermann 61 WIK 2</p>