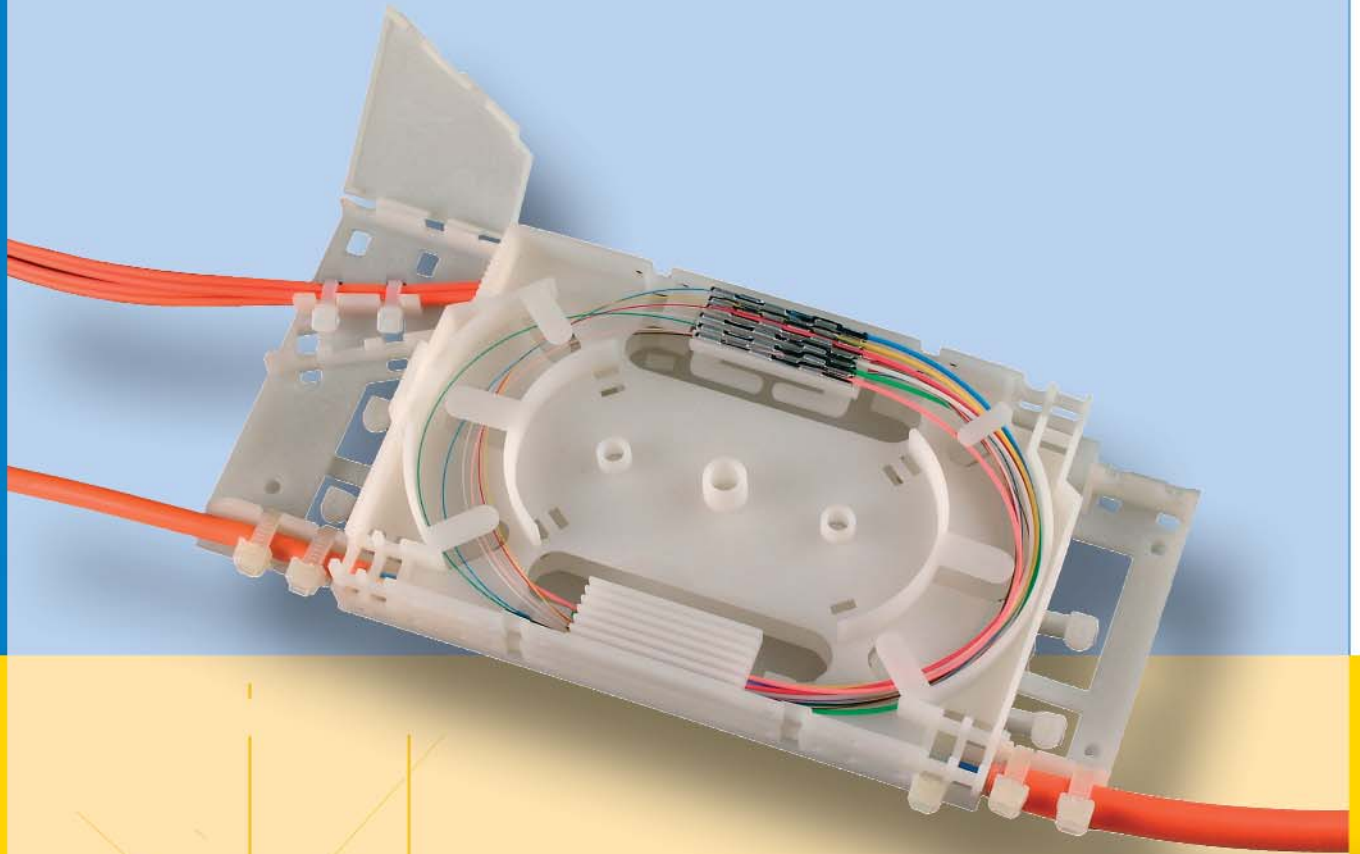


F0 Connection Splice Box



FO Connection Splice Box

New cabling techniques for office communication use additional Consolidation Points from where terminal equipment is connected via patch cords. Where Fibre Optic connections are concerned the splicing technology is recommended as a durable fibre joint with low insertion loss.

Installation may be in cable ducts; their narrow spacing requires extremely minimized component dimensions while also meeting the other technical requirements.

Telegärtner has developed a new FO Connection Splice Box which can be installed even in cable ducts of 80 mm width. The integrated adapter for top hat rail mounting fits into common installa-

tion systems using C-rail, Top Hat rail or Combo rail by simple snap-on mounting; fixing to Top Hat rails in industrial applications as well as wall fixing by screws is also possible.

The FO Connection Splice Box can accommodate up to 4 cables with 7 mm O.D. max. which can be strain-relieved on the base plate using cable ties. One or more storage cassettes for accommodation of fibre loops can be snapped-on to the base plate.

The required number of splice cassettes for storing the splices may be stacked, too. Each can accommodate up to 12 arc fusion splices system NOKIA.

Characteristics

FO Connection Splice Box

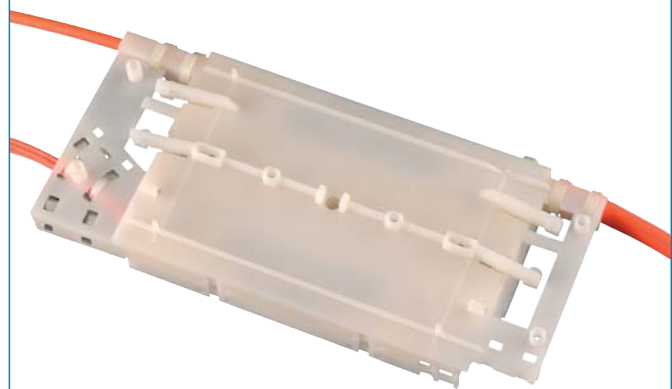
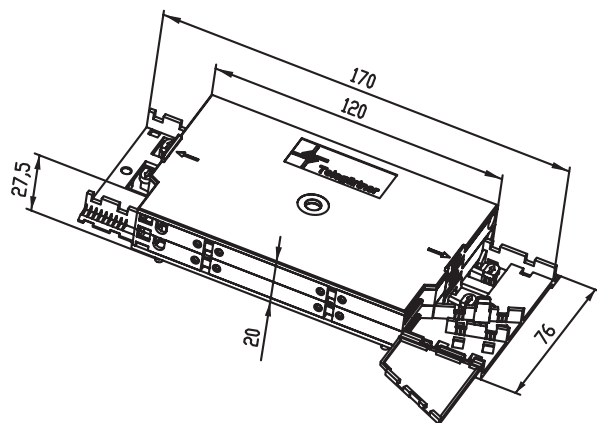
- Base plate with 2 cable entries and 4 cable outlets
- for fixing to flat surfaces or on Top Hat rail, C-rail or Combo rail
- incl. 1 Storage Cassette
- incl. 1 Splice Cassette with splice holder for 12 arc fusion splices and cover
- incl 12 cable ties

Splice Cassette

with integrated splice holder for 12 arc fusion splices, for spare part orders

Storage Cassette

for accommodation of fibre loops, for spare part orders



View from below

Order No.	Description
H02050A0107	FO Connection Splice Box
H02050A0076	Storage Cassette
H02050A0077	Splice Cassette
B00045A0078	Cover for Splice Cassette

Special assemblies upon request