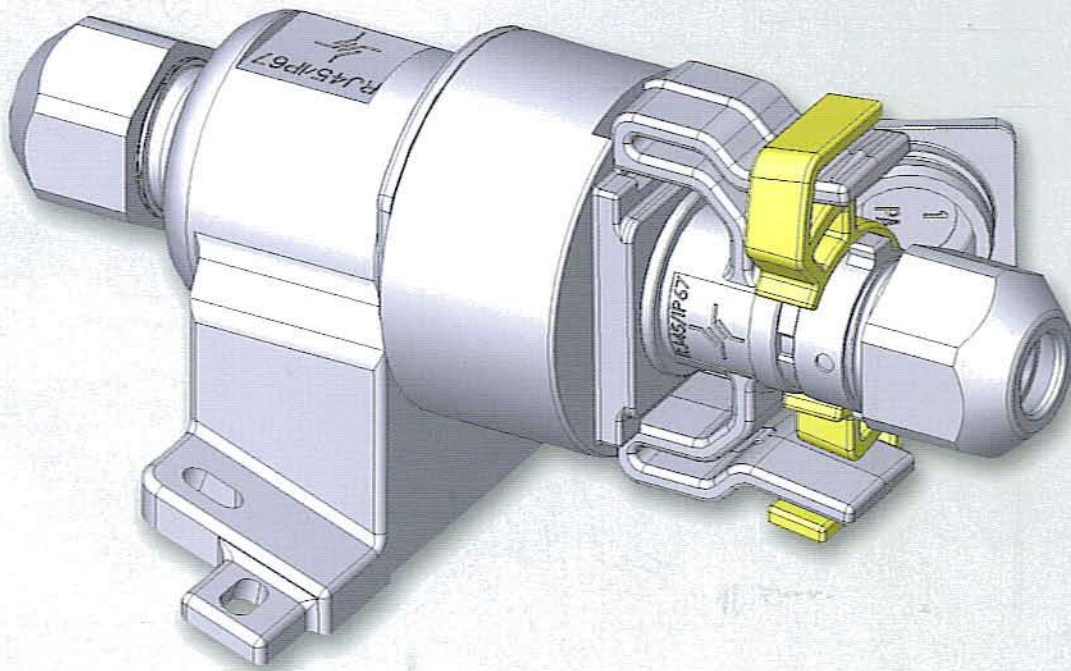




## RJ45 Industry IP67 Cat.6



## RJ45 Industry IP 67 Cat.6

In order to meet the increased demands of such harsh environments, where the risk of pollution is ever present, Telegärtner has developed an industrial RJ45 plug and outlet, both of which meet the Cat. 6 specification, for use with twisted-pair cabling. The RJ45 industrial plug (**with IP67 classification**) is tested, as required by the standard, in accordance with the de-embedding test procedure for Category 6, and conforms to Cat.6 as stipulated in DIN EN 60603-7-5. The Industrial Cabling System RJ45 IP67 is designed for meeting future requirements for **8-way** terminating, and can support **Gigabit-Ethernet** with ample reserve. Areas of application for the Industrial Cabling System are in

IP20 cabinets, just as much as for linking up to terminal equipment in the harsh, highly polluted IP67 industrial working environments. The modular inserts used in the outlet, as well as the plug inserts, are fully screened, and thus ensure a trouble-free data transmission in areas with high EMI. The latching hooks on the connector housing can be opened easily without the use of special tooling, and also ensures a secure IP67-proof lock. The rotatable clasp on the connector body offers additional protection against accidental detachment of the IP67 secure connection between cable and outlet.

### Characteristic

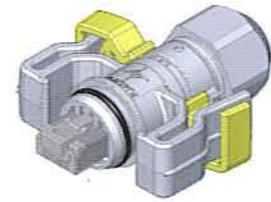
#### RJ45 Plug IP67 Cat. 6

- Conforms to Cat.6 acc. to DIN EN 60603-7-5
- Fire rating UL94 VO
- 8-way contact for Gigabit-Ethernet
- 360° screen connection
- Locking clasps can be fitted after installation
- Locking clasp to prevent accidental detachment
- Supplied with insert to wire management, which does not require wire being cut to exact length
- Optional accessory: colour-coding of the patch cords by using different coloured clasps (grey clasp included with the delivery)

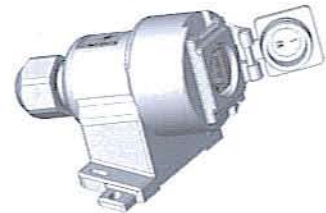
#### RJ45 Outlet IP67 surface mount Cat.6

- Conforms to Cat.6 acc. to DIN EN 60603-7-5
- Meets requirements to EN50022
- Fire rating UL94 VO
- Fully screened module
- Large surface 360° screen connection
- Surface-mount, side-by-side installation possible
- Mating face in accordance with IEC61076-3-106, Variant 6
- Mating face mountable in 2 directions set at 90° to each other
- Non-detachable cover ensures IP67 seal

RJ45 Plug IP67 Cat. 6



RJ45 Outlet IP67 surface mount Cat.6



Locking clasp



Order No.	Description
J00026A0150	RJ45 Plug IP67 Cat. 6
J00020A0436	RJ45 Outlet IP67 surface mount Cat.6
B00073A0001	Locking clasp RJ45 plug IP67 grey
B00073B0001	Locking clasp RJ45 plug IP67 red
B00073C0001	Locking clasp RJ45 plug IP67 blue
B00073D0001	Locking clasp RJ45 plug IP67 yellow
B00073E0001	Locking clasp RJ45 plug IP67 green

[www.telegaertner.com](http://www.telegaertner.com)

Telegärtner Karl Gärtner GmbH  
 Lerchenstr. 35  
 D - 71144 Steinenbronn

Tel.: +49 (0) 71 57 / 125-100  
 Fax: +49 (0) 71 57 / 125-120  
 info@telegaertner.com



**Telegärtner**