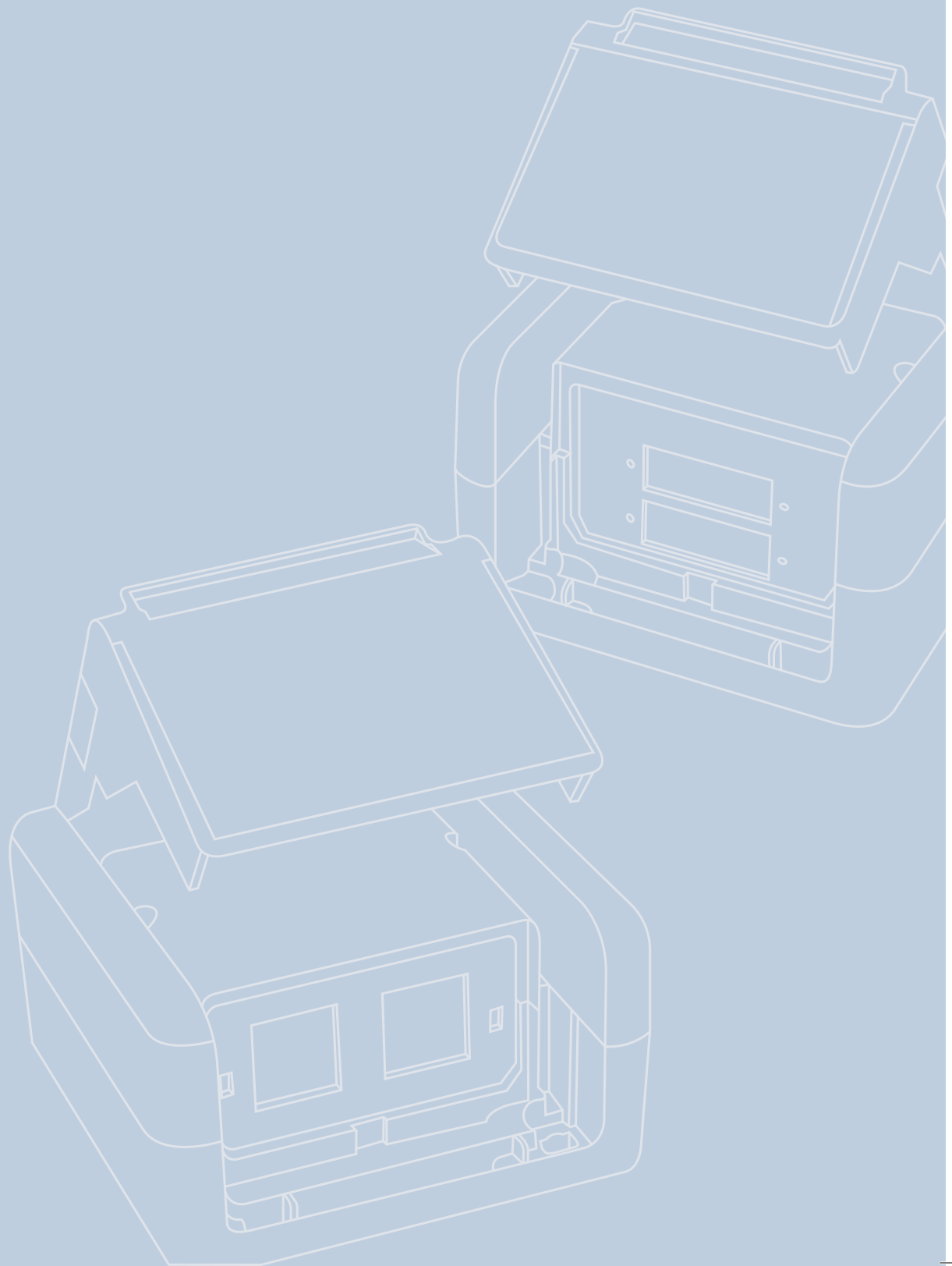
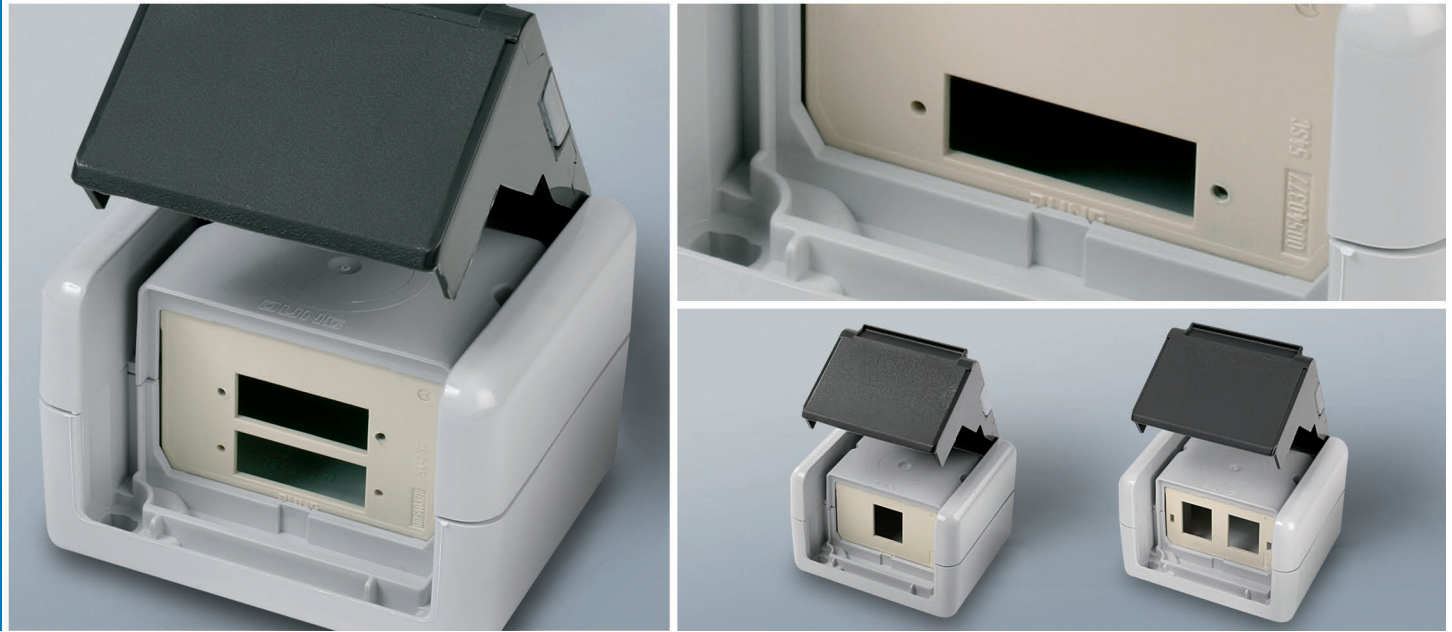


# 5

## Light Duty Outlets





# 5

## Light Duty Outlets

5.1	RJ45 Outlet IP44 AP.....	79
5.2	FO Outlet IP44 AP.....	81

The AMJ modules and couplers as well the T-SC-Duplex adaptors which are both commonly used in the office world are effectively protected against ingress of solid impurities measuring more than 1mm in diameter, as well as against water jets from all directions, by a housing with protection class IP44. With its compact size of 75x86x58 mm, the housing not only accomodates up to two data outlets,

but is also unbreakable. The grey housing is available with one or two cable entries. A splash-proof transparent label (21x59 mm) permits identification of the ports. The Terminal Outlet (TO) is completed tool-less by snapping in the corresponding modules, couplers and adaptors into the single or double gang inserts. The T-SC-Duplex adaptor can also additionally be mounted with screws.

## Performance Characteristics

- degree of Protection IP44
- little space required for two data outlets (dimensions: 75x86x58 mm)
- port identification via splash-proof, transparent label
- either single or double gang inserts for AMJ modules, couplers, T-SC-D adaptors
- spring-laoded hinged cover for easy access to the jacks
- unbreakable housing
- tool-free mounting (snap-in) of the RJ45 Cat.5e and Cat.6 modules
- either snapping and/or screwing T-SC-Duplex adaptors

## RJ45 Outlet IP44 AP

5.1

Deckel geöffnet/  
open cover

Montageausschnitt/  
faceplate cutout

19.3

15.3

87

75

58

1x Kabeleingang/  
cable inlet

Order no.	Short name	Remarks
H02000A0069	Outlet IP44 AP	for 1x AMJ module/coupler

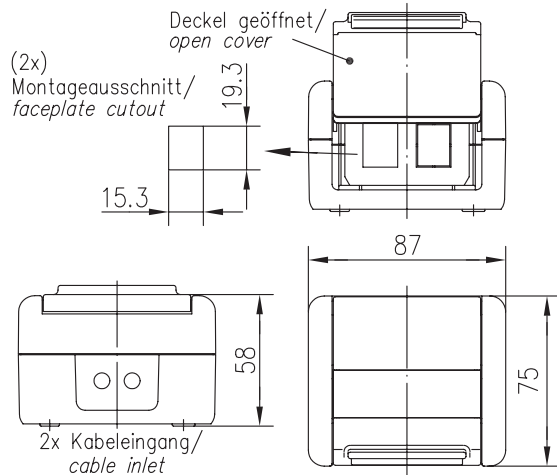
5.1

# 5

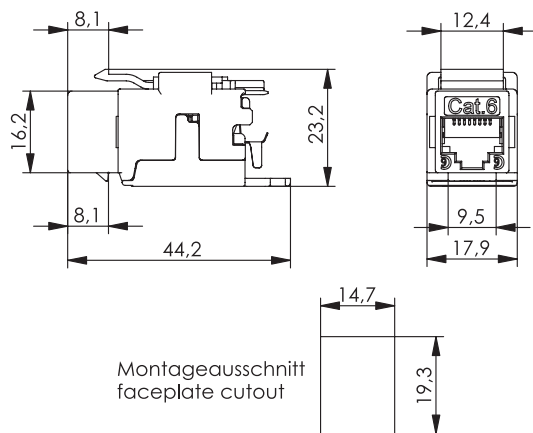
## Light Duty Outlets

### 5.1

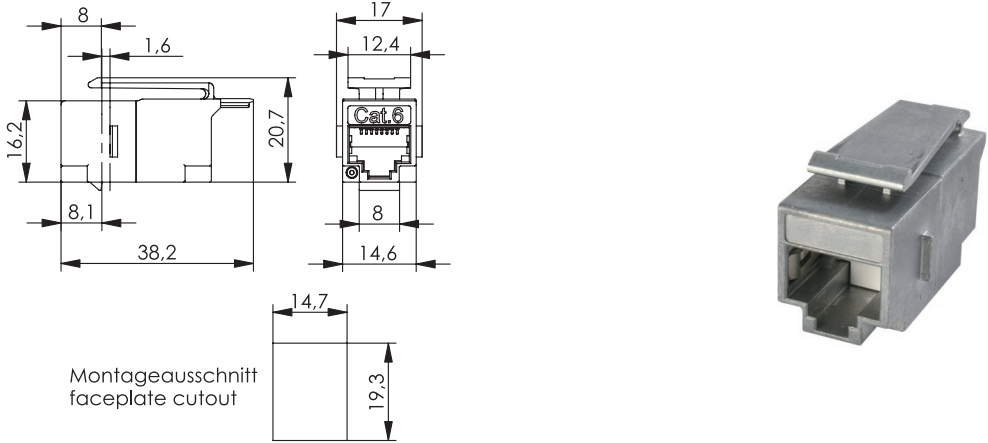
#### RJ45 Outlet IP44 AP



Order no.	Short name	Remarks
H02000A0070	Outlet IP44 AP	for 2x AMJ modules/coupler



Order no.	Short name	Remarks
J00029K0036	AMJ Module K Cat.6+	tool-free connectivity, suitable for RJ11/12 plugs
B00001A0014	retrofit dust protection cap for AMJ Modules K	for J00029K0036



Order no.	Short name	Remarks
J00029A0061	AMJ coupler K Cat.6, f-f	suitable for RJ11/12 plugs
J00029K0051	AMJ coupler K Cat.5e, f-f	suitable for RJ11/12 plugs

## FO outlet IP44 AP

## 5.2



Order no.	Short name	Remarks
H82000A0012	Outlet IP44 AP	for 1xSC-Duplex coupler



Order no.	Short name	Remarks
H82000A0013	Outlet IP44 AP	for 2xSC-Duplex couplers

