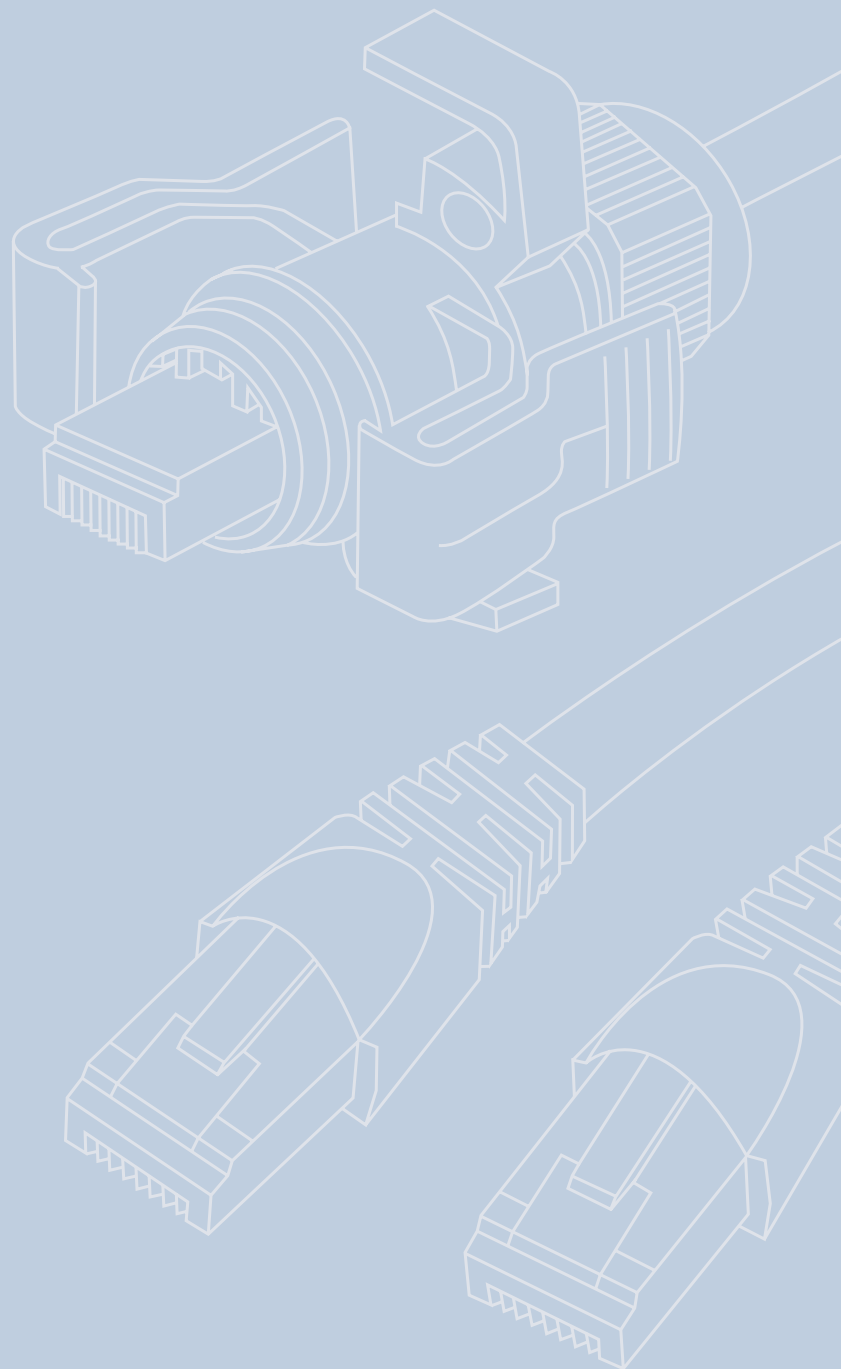
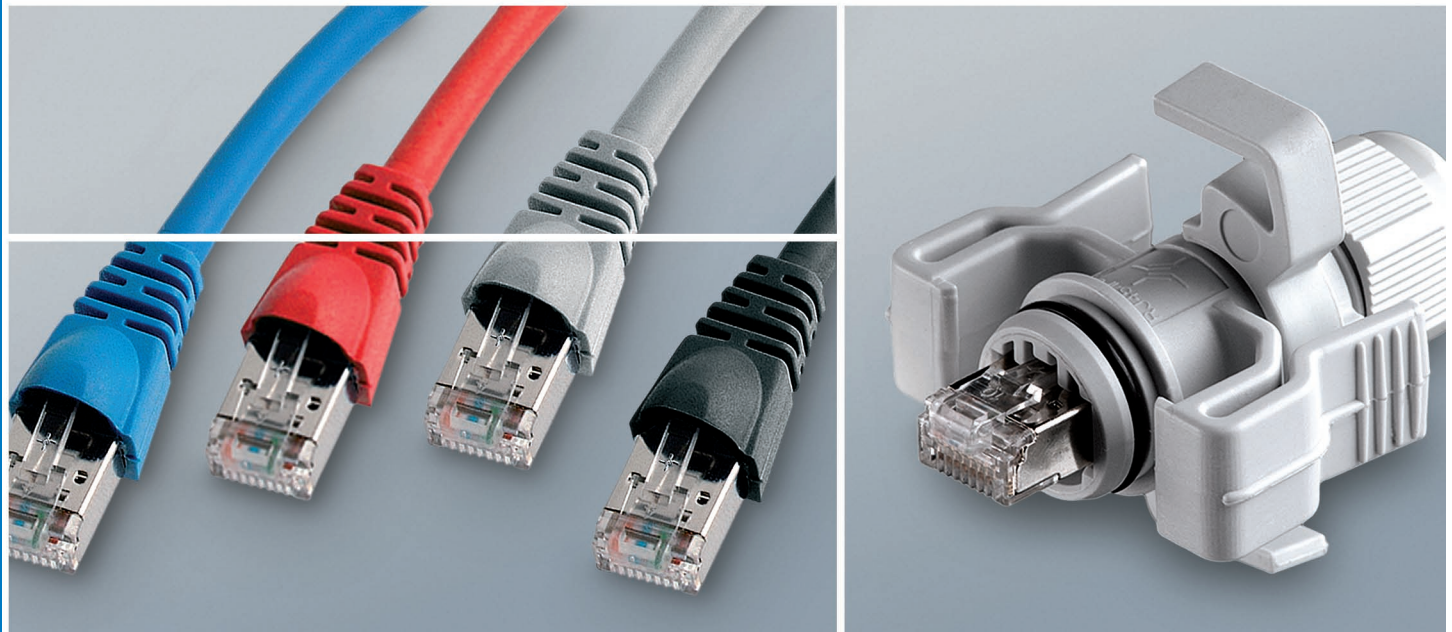


Light and Heavy Duty Patch Cords





6

Light and Heavy Duty Patch Cords

6.1 Industrial Patch Cords	85
6.1.1 Patch Cord S/FTP Cat.7 4x2xAWG 27/7 (PUR) - shielded	86
6.1.2 Patch Cord S/FTP Cat.7 4x2xAWG 27/7 (PVC) - shielded	87
6.1.3 Patch Cord SF/UTP Cat.5 4x2xAWG 26/7 (PUR) - shielded	89
6.1.4 Patch Cord SF/UTP Cat.5 4x2xAWG 26/7 (PVC) - shielded.....	90
6.2 Office Patch Cords	92
6.2.1 Cat.7 - Wiring 1:1 - S/FTP (LSZH) - shielded	93
6.2.2 Cat.7 - Measuring Cable Wiring 1:1 - S/FTP (LSZH) - shielded	96
6.2.3 Cat.7 - Crossover - S/FTP (LSZH) - shielded	97
6.2.4 Cat.5e - Wiring 1:1 - F/UTP (PVC) - shielded	99
6.2.5 Cat.5e - Wiring 1:1 - F/UTP (LSZH) - shielded.....	102

Light and Heavy Duty Patch Cords

6

Industrial Patch Cords

6.1

For best connections, Telegärtner offers shielded, pre-assembled SF/UTP Cat.5 and S/FTP Cat.7 patch cables with PVC (with UL imprint) or PUR jacket and an extended temperature range up to 75 °C. The assortment includes length of 1 m, 2 m, 3 m, 5 m, 7,5 m, 10 m and 15 m for control cabinet environments with protection class IP20, as well as

for terminal outlets in working areas exposed to intensive contamination with protection class IP67 and respectively combined versions. These cables offer outstanding transmission characteristics with high power reserves, robust strain relief and optimum protection against ambient influences by the use of particularly robust jacket materials.

Performance Characteristics

- proven plug quality for durable, high-quality connections
- SF/UTP Cat.5 patch cords with PUR or PVC jacket available
- S/FTP Cat.7 patch cords with PUR or PVC jacket available
- extended temperature range for use in harsh environment
- patch cords with protection class IP20-IP20, IP20-IP67, IP67-IP67 available
- wide range of length from 1 m to 15 m
- shielded RJ45 plugs acc. to Cat.6 DIN EN 60603-7-5
- the industrial wiring system is designed for meeting future requirements for 8-way terminating and supports Gigabit Ethernet with high power reserves

Technical Data

	IE Patch Cord S/FTP Cat.7 PVC	IE Patch Cord S/FTP Cat.7 PUR	IE Patch Cord SF/UTP Cat.5 PVC	IE Patch Cord SF/UTP Cat.5 PUR
Mechanical Characteristics				
Durability (mating cycles)	> 750	> 750	> 750	> 750
Colour code	ISO/IEC 11801	ISO/IEC 11801	ISO/IEC 11801	ISO/IEC 11801
Cable structure	LI02YSCY PVC 4x2xAWG 27/7 PiMF	LI02YSC11Y PUR 4x2xAWG 27/7 PiMF	LI2Y(ST)CY PVC 4x2xAWG 26/7	LI2Y(ST)C11Y PUR 4x2xAWG 26/7
Stranded wire	AWG27 (7 x 0.14 mm)	AWG27 (7 x 0.14 mm)	AWG26 (7 x 0.16 mm)	AWG26 (7 x 0.16 mm)
Insulation	Foam PE, Ø 1.04 mm	Foam PE, Ø 1.04 mm	PE, Ø 0.95 mm	PE, Ø 0.95 mm
Pair shielding	Al-foil, outside conducting	Al-foil, outside conducting		
Overall shielding	tin plated copper braid	tin plated copper braid	aluminum foil, outer conductive and tinned copper braid	aluminum foil, outer conductive and tinned copper braid
Outer jacket	Ø 6.2 ±0.2 mm	Ø 6.2 ±0.2 mm	Ø 5.6 ±0.2 mm	Ø 5.8 ±0.2 mm
Colour	RAL 6018	RAL 6018	RAL 6018	RAL 6018
Climatic Characteristics				
flame-retardant test	IEC 60332-1	IEC 60332-1	IEC 60332-1	IEC 60332-1
Operating temperature	-40° C ... 75° C	-40° C ... 75° C	-40° C ... 75° C	-40° C ... 75° C
Transmission Characteristics				
Next: typical values at 100 MHz	72 dB	72 dB	39.3 dB	39.3 dB
Next: typical values at 250 MHz	66 dB	66 dB	-	-
Next: typical values at 300 MHz	65 dB	65 dB	-	-
Next: typical values at 600 MHz	61 dB	61 dB	-	-
Insertion loss: typical values at 100 MHz	2.89 dB/10 m	2.89 dB/10 m	3.2 dB/10 m	3.2 dB/10 m
Insertion loss: typical values at 250 MHz	4.45 dB/10 m	4.45 dB/10 m	-	-
Insertion loss: typical values at 300 MHz	4.88 dB/10 m	4.88 dB/10 m	-	-
Insertion loss: typical values at 600 MHz	6.9 dB/10 m	6.9 dB/10 m	-	--

6.1

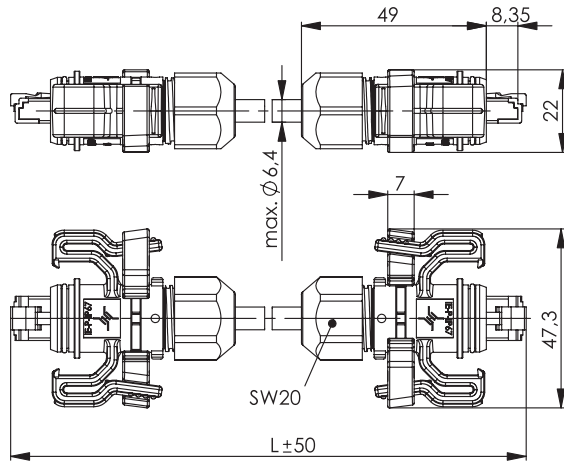
6

Light and Heavy Duty Patch Cords

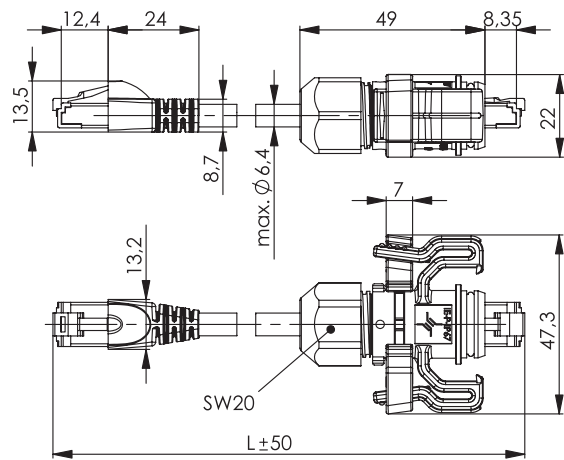
6.1

Industrial Patch Cords

6.1.1 Patch Cord S/FTP Cat.7 4x2xAWG 27/7 (PUR) - shielded

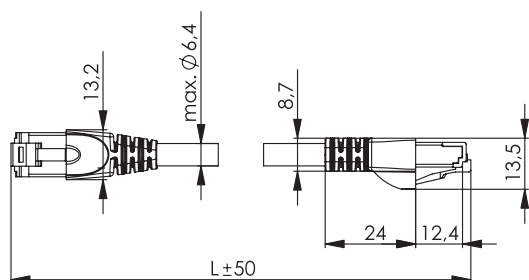


Order no.	Short name	Protection: 1st end - 2nd end	Length	Colour
L00000A0151	S/FTP Cat.7 PUR	IP67 - IP67	1,0 m	green RAL 6018
L00001A0141	S/FTP Cat.7 PUR	IP67 - IP67	2,0 m	green RAL 6018
L00002A0158	S/FTP Cat.7 PUR	IP67 - IP67	3,0 m	green RAL 6018
L00003A0100	S/FTP Cat.7 PUR	IP67 - IP67	5,0 m	green RAL 6018
L00004A0086	S/FTP Cat.7 PUR	IP67 - IP67	7,5 m	green RAL 6018
L00005A0060	S/FTP Cat.7 PUR	IP67 - IP67	10,0 m	green RAL 6018
L00006A0101	S/FTP Cat.7 PUR	IP67 - IP67	15,0 m	green RAL 6018



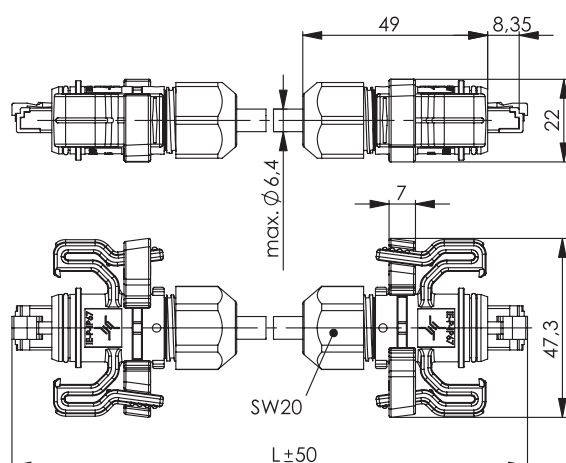
Order no.	Short name	Protection: 1st end - 2nd end	Length	Colour
L00000A0150	S/FTP Cat.7 PUR	IP20 - IP67	1,0 m	green RAL 6018
L00001A0140	S/FTP Cat.7 PUR	IP20 - IP67	2,0 m	green RAL 6018
L00002A0157	S/FTP Cat.7 PUR	IP20 - IP67	3,0 m	green RAL 6018
L00003A0099	S/FTP Cat.7 PUR	IP20 - IP67	5,0 m	green RAL 6018
L00004A0085	S/FTP Cat.7 PUR	IP20 - IP67	7,5 m	green RAL 6018
L00005A0059	S/FTP Cat.7 PUR	IP20 - IP67	10,0 m	green RAL 6018
L00006A0100	S/FTP Cat.7 PUR	IP20 - IP67	15,0 m	green RAL 6018

Light and Heavy Duty Patch Cords



Order no.	Short name	Protection: 1st end - 2nd end	Length	Colour
L00000A0149	S/FTP Cat.7 PUR	IP20 - IP20	1,0 m	green RAL 6018
L00001A0139	S/FTP Cat.7 PUR	IP20 - IP20	2,0 m	green RAL 6018
L00002A0156	S/FTP Cat.7 PUR	IP20 - IP20	3,0 m	green RAL 6018
L00003A0098	S/FTP Cat.7 PUR	IP20 - IP20	5,0 m	green RAL 6018
L00004A0084	S/FTP Cat.7 PUR	IP20 - IP20	7,5 m	green RAL 6018
L00005A0058	S/FTP Cat.7 PUR	IP20 - IP20	10,0 m	green RAL 6018
L00006A0099	S/FTP Cat.7 PUR	IP20 - IP20	15,0 m	green RAL 6018

Patch Cord S/FTP Cat.7 4x2xAWG 27/7 (PVC) - shielded | 6.1.2



Order no.	Short name	Protection: 1st end - 2nd end	Length	Colour
L00000A0148	S/FTP Cat.7 PVC	IP67 - IP67	1,0 m	green RAL 6018
L00001A0138	S/FTP Cat.7 PVC	IP67 - IP67	2,0 m	green RAL 6018
L00002A0155	S/FTP Cat.7 PVC	IP67 - IP67	3,0 m	green RAL 6018
L00003A0097	S/FTP Cat.7 PVC	IP67 - IP67	5,0 m	green RAL 6018
L00004A0083	S/FTP Cat.7 PVC	IP67 - IP67	7,5 m	green RAL 6018
L00005A0057	S/FTP Cat.7 PVC	IP67 - IP67	10,5 m	green RAL 6018
L00006A0098	S/FTP Cat.7 PVC	IP67 - IP67	15,0 m	green RAL 6018

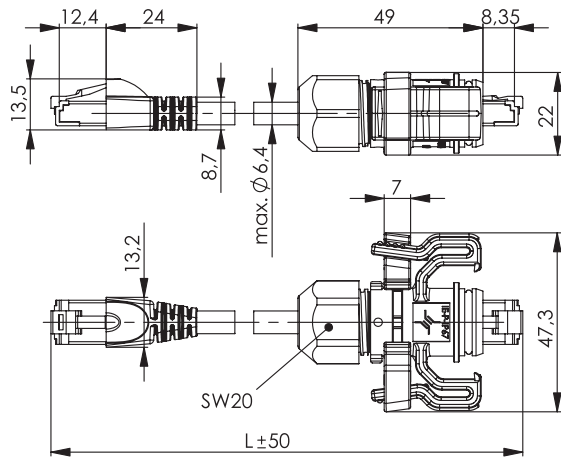
6

Light and Heavy Duty Patch Cords

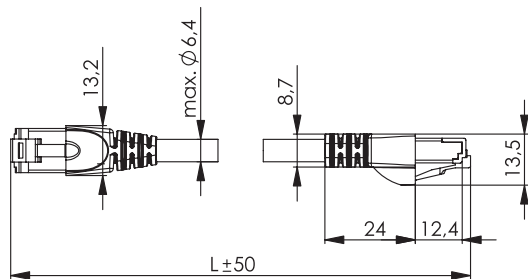
6.1

Industrial Patch Cords

6.1.2 Patch Cord S/FTP Cat.7 4x2xAWG 27/7 (PVC) - shielded



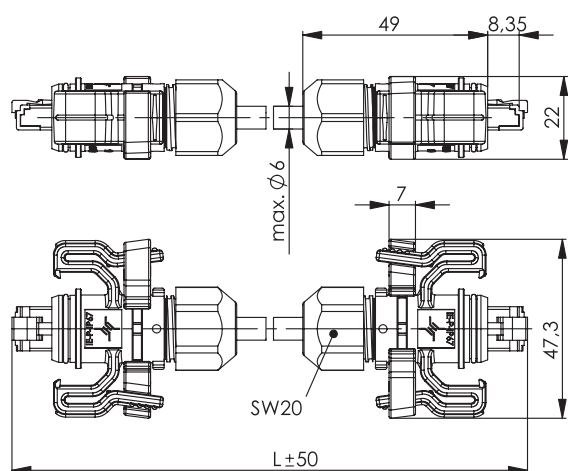
Order no.	Short name	Protection: 1st end - 2nd end	Length	Colour
L00000A0147	S/FTP Cat.7 PVC	IP20 - IP67	1,0 m	green RAL 6018
L00001A0137	S/FTP Cat.7 PVC	IP20 - IP67	2,0 m	green RAL 6018
L00002A0154	S/FTP Cat.7 PVC	IP20 - IP67	3,0 m	green RAL 6018
L00003A0096	S/FTP Cat.7 PVC	IP20 - IP67	5,0 m	green RAL 6018
L00004A0082	S/FTP Cat.7 PVC	IP20 - IP67	7,5 m	green RAL 6018
L00005A0056	S/FTP Cat.7 PVC	IP20 - IP67	10,0 m	green RAL 6018
L00006A0097	S/FTP Cat.7 PVC	IP20 - IP67	15,0 m	green RAL 6018



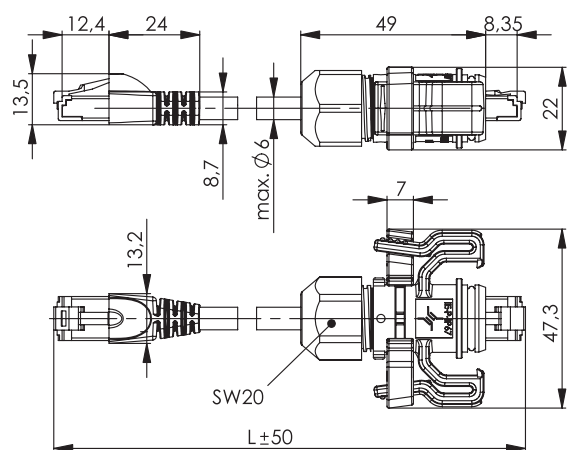
Order no.	Short name	Protection: 1st end - 2nd end	Length	Colour
L00000A0146	S/FTP Cat.7 PVC	IP20 - IP20	1,0 m	green RAL 6018
L00001A0136	S/FTP Cat.7 PVC	IP20 - IP20	2,0 m	green RAL 6018
L00002A0153	S/FTP Cat.7 PVC	IP20 - IP20	3,0 m	green RAL 6018
L00003A0095	S/FTP Cat.7 PVC	IP20 - IP20	5,0 m	green RAL 6018
L00004A0081	S/FTP Cat.7 PVC	IP20 - IP20	7,5 m	green RAL 6018
L00005A0055	S/FTP Cat.7 PVC	IP20 - IP20	10,0 m	green RAL 6018
L00006A0096	S/FTP Cat.7 PVC	IP20 - IP20	15,0 m	green RAL 6018

Light and Heavy Duty Patch Cords

Patch Cord SF/UTP Cat.5 4x2xAWG26/7 (PUR) - shielded | 6.1.3



Order no.	Short name	Protection: 1st end - 2nd end	Length	Colour
L00000A0143	SF/UTP Cat.5	IP67 - IP67	1,0 m	green RAL 6018
L00001A0135	SF/UTP Cat.5	IP67 - IP67	2,0 m	green RAL 6018
L00002A0152	SF/UTP Cat.5	IP67 - IP67	3,0 m	green RAL 6018
L00003A0093	SF/UTP Cat.5	IP67 - IP67	5,0 m	green RAL 6018
L00004A0092	SF/UTP Cat.5	IP67 - IP67	7,5 m	green RAL 6018
L00005A0066	SF/UTP Cat.5	IP67 - IP67	10,0 m	green RAL 6018
L00006A0107	SF/UTP Cat.5	IP67 - IP67	15,0 m	green RAL 6018



Order no.	Short name	Protection: 1st end - 2nd end	Length	Colour
L00000A0142	SF/UTP Cat.5	IP20 - IP67	1,0 m	green RAL 6018
L00001A0134	SF/UTP Cat.5	IP20 - IP67	2,0 m	green RAL 6018
L00002A0151	SF/UTP Cat.5	IP20 - IP67	3,0 m	green RAL 6018
L00003A0092	SF/UTP Cat.5	IP20 - IP67	5,0 m	green RAL 6018
L00004A0091	SF/UTP Cat.5	IP20 - IP67	7,5 m	green RAL 6018
L00005A0065	SF/UTP Cat.5	IP20 - IP67	10,0 m	green RAL 6018
L00006A0106	SF/UTP Cat.5	IP20 - IP67	15,0 m	green RAL 6018

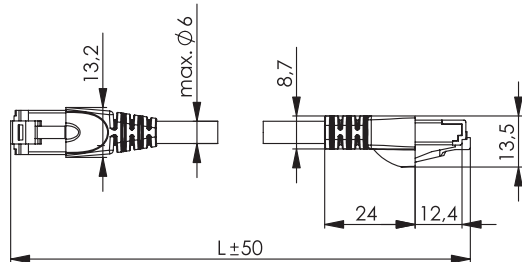
6

Light and Heavy Duty Patch Cords

6.1

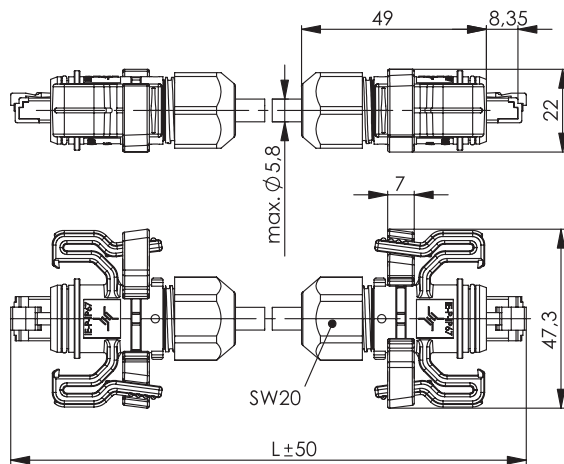
Industrial Patch Cords

6.1.3 Patch Cord SF/UTP Cat.5 4x2xAWG 26/7 (PUR) - shielded



Order no.	Short name	Protection: 1st end - 2nd end	Length	Colour
L00000A0141	SF/UTP Cat.5	IP20 - IP20	1,0 m	green RAL 6018
L00001A0133	SF/UTP Cat.5	IP20 - IP20	2,0 m	green RAL 6018
L00002A0150	SF/UTP Cat.5	IP20 - IP20	3,0 m	green RAL 6018
L00003A0091	SF/UTP Cat.5	IP20 - IP20	5,0 m	green RAL 6018
L00004A0090	SF/UTP Cat.5	IP20 - IP20	7,5 m	green RAL 6018
L00005A0064	SF/UTP Cat.5	IP20 - IP20	10,0 m	green RAL 6018
L00006A0105	SF/UTP Cat.5	IP20 - IP20	15,0 m	green RAL 6018

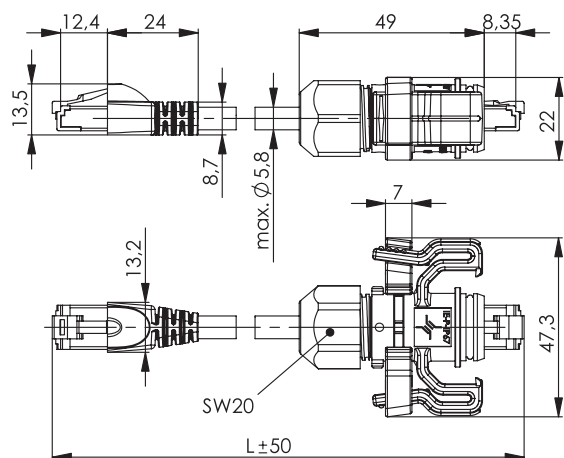
6.1.4 Patch Cord SF/UTP Cat.5 4x2xAWG 26/7 (PVC) - shielded



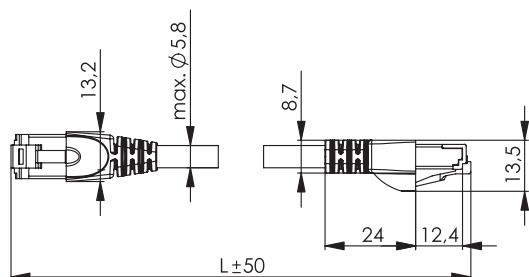
Order no.	Short name	Protection: 1st end - 2nd end	Length	Colour
L00000A0140	SF/UTP Cat.5 PVC	IP67 - IP67	1,0 m	green RAL 6018
L00001A0132	SF/UTP Cat.5 PVC	IP67 - IP67	2,0 m	green RAL 6018
L00002A0149	SF/UTP Cat.5 PVC	IP67 - IP67	3,0 m	green RAL 6018
L00003A0090	SF/UTP Cat.5 PVC	IP67 - IP67	5,0 m	green RAL 6018
L00004A0089	SF/UTP Cat.5 PVC	IP67 - IP67	7,5 m	green RAL 6018
L00005A0063	SF/UTP Cat.5 PVC	IP67 - IP67	10,0 m	green RAL 6018
L00006A0104	SF/UTP Cat.5 PVC	IP67 - IP67	15,0 m	green RAL 6018

Light and Heavy Duty Patch Cords

6



Order no.	Short name	Protection: 1st end - 2nd end	Length	Colour
L00000A0139	SF/UTP Cat.5 PVC	IP20 - IP67	1,0 m	green RAL 6018
L00001A0131	SF/UTP Cat.5 PVC	IP20 - IP67	2,0 m	green RAL 6018
L00002A0148	SF/UTP Cat.5 PVC	IP20 - IP67	3,0 m	green RAL 6018
L00003A0089	SF/UTP Cat.5 PVC	IP20 - IP67	5,0 m	green RAL 6018
L00004A0088	SF/UTP Cat.5 PVC	IP20 - IP67	7,5 m	green RAL 6018
L00005A0062	SF/UTP Cat.5 PVC	IP20 - IP67	10,0 m	green RAL 6018
L00006A0103	SF/UTP Cat.5 PVC	IP20 - IP67	15,0 m	green RAL 6018



Order no.	Short name	Protection: 1st end - 2nd end	Length	Colour
L00000A0138	SF/UTP Cat.5 PVC	IP20 - IP20	1,0 m	green RAL 6018
L00001A0130	SF/UTP Cat.5 PVC	IP20 - IP20	2,0 m	green RAL 6018
L00002A0147	SF/UTP Cat.5 PVC	IP20 - IP20	3,0 m	green RAL 6018
L00003A0088	SF/UTP Cat.5 PVC	IP20 - IP20	5,0 m	green RAL 6018
L00004A0087	SF/UTP Cat.5 PVC	IP20 - IP20	7,5 m	green RAL 6018
L00005A0061	SF/UTP Cat.5 PVC	IP20 - IP20	10,0 m	green RAL 6018
L00006A0102	SF/UTP Cat.5 PVC	IP20 - IP20	15,0 m	green RAL 6018

6

Light and Heavy Duty Patch Cords

6.2

Office Patch Cords

Telegärtner offers a wide range of patch cables in a whole variety of categories, colours and lengths for use in control cabinets and areas with protection class IP20. When using Cat.7 bulk cables, for example, the transmission characteristics of Channel Link Class E in accordance with

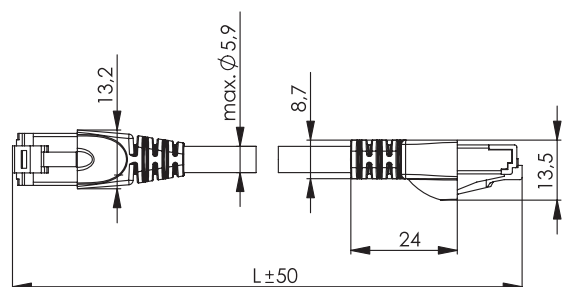
ISO/IEC 11801, 2nd edition resp. ISO/IEC 24702 are more than met and confirmed by certificates. All patch cables additionally include a latch protection and a moulded strain relief makes them particularly robust and well protected.

Technical Data

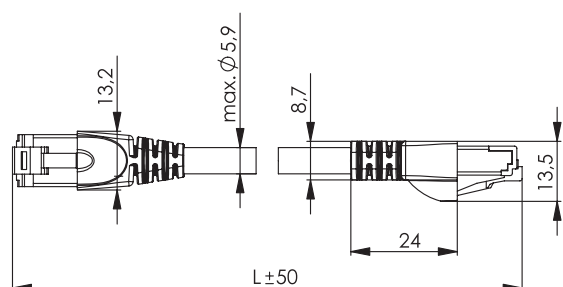
	Patch Cords shielded Cat.7 S/FTP LSZH	Patch Cords shielded Cat.5e F/UTP PVC and LSZH
Mechanical Characteristics		
Durability (mating cycles)	> 750	> 750
Colour code	ISO/IEC 11801	ISO/IEC 11801
Cable structure	Li02YSCH 4x2xAWG 27/7 PiMF	Li2Y(ST)Y resp. LSZH 4x2xAWG 26/7
Stranded wire	AWG 27 (7x0.14 mm)	AWG 26 (7x0.16 mm)
Insulation	PE; Ø 1.04 ±0.05 mm	PE; Ø 0.92 ±0.05 mm
Pair shielding	Al-foil, outside conducting	-
Overall shielding	tin plated copper braid	Al-foil, inside conducting
Outer jacket	5.7 ±0.2 mm	5.5 ±0.2 mm
Climatic Characteristics		
flame-retardant test	IEC 60332-1	IEC 60332-1
Operating temperature	-20° C ... 70°C	-20° C ... 70° C
Transmission Characteristics		
Next: typical values at 100 MHz	72 dB	39.3 dB
Next: typical values at 250 MHz	66 dB	-
Next: typical values at 300 MHz	65 dB	-
Next: typical values at 600 MHz	61 dB	-
Insertion loss: typical values at 100 MHz	2.89 dB/10 m	3.2 dB
Insertion loss: typical values at 250 MHz	4.45 dB/10 m	-
Insertion loss: typical values at 300 MHz	4.88 dB/10 m	-
Insertion loss: typical values at 600 MHz	6.9 dB/10 m	-

Light and Heavy Duty Patch Cords

Cat.7 - Wiring 1:1 - S/FTP (LSZH) - shielded | 6.2.1



Order no.	Short name	Length	Colour
L00000A0072	MP8 FS 600 LSZH-0,5	0,5 m	grey
L00000A0081	MP8 FS 600 LSZH-1,0	1,0 m	grey
L00001A0090	MP8 FS 600 LSZH-1,5	1,5 m	grey
L00001A0084	MP8 FS 600 LSZH-2,0	2,0 m	grey
L00002A0112	MP8 FS 600 LSZH-3,0	3,0 m	grey
L00003A0055	MP8 FS 600 LSZH-5,0	5,0 m	grey
L00004A0054	MP8 FS 600 LSZH-7,5	7,5 m	grey
L00005A0027	MP8 FS 600 LSZH-10,0	10,0 m	grey
L00006A0033	MP8 FS 600 LSZH-15,0	15,0 m	grey
L00006A0036	MP8 FS 600 LSZH-20,0	20,0 m	grey
L00006A0034	MP8 FS 600 LSZH-25,0	25,0 m	grey
L00006A0035	MP8 FS 600 LSZH-50,0	50,0 m	grey



Order no.	Short name	Length	Colour
L00000A0073	MP8 FS 600 LSZH-0,5	0,5 m	green
L00000A0082	MP8 FS 600 LSZH-1,0	1,0 m	green
L00001A0085	MP8 FS 600 LSZH-2,0	2,0 m	green
L00002A0113	MP8 FS 600 LSZH-3,0	3,0 m	green
L00003A0056	MP8 FS 600 LSZH-5,0	5,0 m	green
L00004A0055	MP8 FS 600 LSZH-7,5	7,5 m	green
L00005A0028	MP8 FS 600 LSZH-10,0	10,0 m	green
L00006A0037	MP8 FS 600 LSZH-15,0	15,0 m	green
L00006A0038	MP8 FS 600 LSZH-20,0	20,0 m	green
L00006A0039	MP8 FS 600 LSZH-25,0	25,0 m	green
L00006A0040	MP8 FS 600 LSZH-50,0	50,0 m	green

6.2

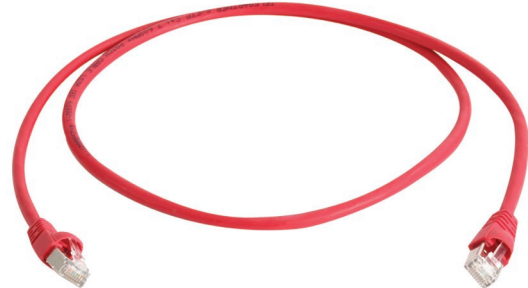
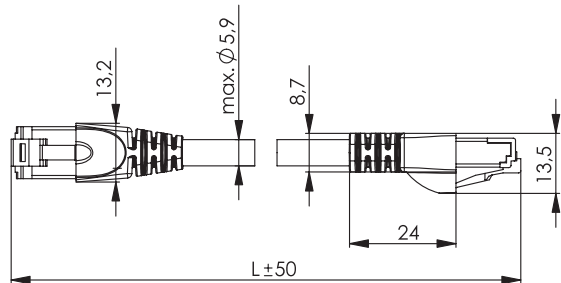
6

Light and Heavy Duty Patch Cords

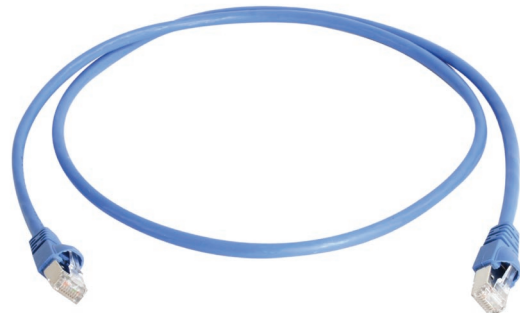
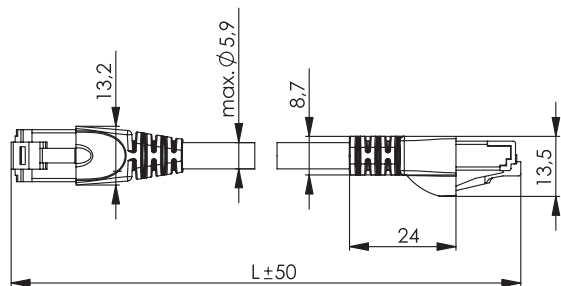
6.2

Office Patch Cords

6.2.1 | Cat.7 - Wiring 1:1 - S/FTP (LSZH) - shielded



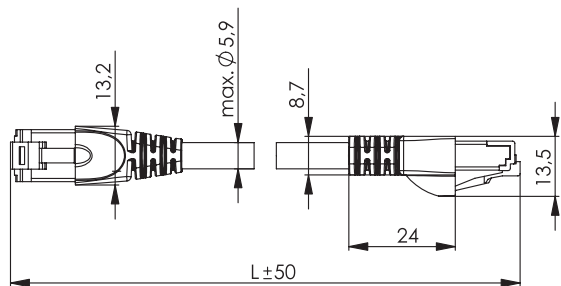
Order no.	Short name	Length	Colour
L00000A0074	MP8 FS 600 LSZH-0,5	0,5 m	red
L00000A0083	MP8 FS 600 LSZH-1,0	1,0 m	red
L00001A0086	MP8 FS 600 LSZH-2,0	2,0 m	red
L00002A0114	MP8 FS 600 LSZH-3,0	3,0 m	red
L00003A0057	MP8 FS 600 LSZH-5,0	5,0 m	red
L00004A0056	MP8 FS 600 LSZH-7,5	7,5 m	red
L00005A0029	MP8 FS 600 LSZH-10,0	10,0 m	red
L00006A0041	MP8 FS 600 LSZH-15,0	15,0 m	red
L00006A0042	MP8 FS 600 LSZH-20,0	20,0 m	red
L00006A0043	MP8 FS 600 LSZH-25,0	25,0 m	red
L00006A0044	MP8 FS 600 LSZH-50,0	50,0 m	red



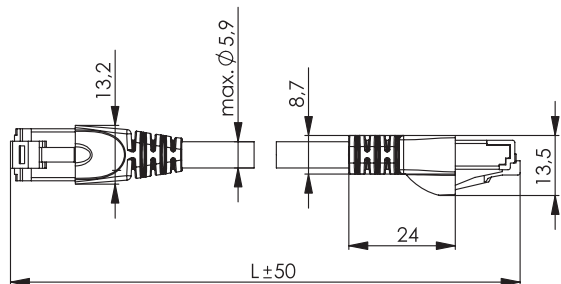
Order no.	Short name	Length	Colour
L00000A0075	MP8 FS 600 LSZH-0,5	0,5 m	blue
L00000A0084	MP8 FS 600 LSZH-1,0	1,0 m	blue
L00001A0087	MP8 FS 600 LSZH-2,0	2,0 m	blue
L00002A0115	MP8 FS 600 LSZH-3,0	3,0 m	blue
L00003A0058	MP8 FS 600 LSZH-5,0	5,0 m	blue
L00004A0057	MP8 FS 600 LSZH-7,5	7,5 m	blue
L00005A0030	MP8 FS 600 LSZH-10,0	10,0 m	blue
L00006A0045	MP8 FS 600 LSZH-15,0	15,0 m	blue
L00006A0046	MP8 FS 600 LSZH-20,0	20,0 m	blue
L00006A0047	MP8 FS 600 LSZH-25,0	25,0 m	blue
L00006A0048	MP8 FS 600 LSZH-50,0	50,0 m	blue

Light and Heavy Duty Patch Cords

6



Order no.	Short name	Length	Colour
L00000A0076	MP8 FS 600 LSZH-0,5	0,5 m	yellow
L00000A0085	MP8 FS 600 LSZH-1,0	1,0 m	yellow
L00001A0088	MP8 FS 600 LSZH-2,0	2,0 m	yellow
L00002A0116	MP8 FS 600 LSZH-3,0	3,0 m	yellow
L00003A0059	MP8 FS 600 LSZH-5,0	5,0 m	yellow
L00004A0058	MP8 FS 600 LSZH-7,5	7,5 m	yellow
L00005A0031	MP8 FS 600 LSZH-10,0	10,0 m	yellow
L00006A0049	MP8 FS 600 LSZH-15,0	15,0 m	yellow
L00006A0050	MP8 FS 600 LSZH-20,0	20,0 m	yellow
L00006A0051	MP8 FS 600 LSZH-25,0	25,0 m	yellow
L00006A0052	MP8 FS 600 LSZH-50,0	50,0 m	yellow



Order no.	Short name	Length	Colour
L00000A0077	MP8 FS 600 LSZH-0,5	0,5 m	black
L00000A0086	MP8 FS 600 LSZH-1,0	1,0 m	black
L00001A0089	MP8 FS 600 LSZH-2,0	2,0 m	black
L00002A0117	MP8 FS 600 LSZH-3,0	3,0 m	black
L00003A0060	MP8 FS 600 LSZH-5,0	5,0 m	black
L00004A0060	MP8 FS 600 LSZH-7,5	7,5 m	black
L00005A0032	MP8 FS 600 LSZH-10,0	10,0 m	black
L00006A0053	MP8 FS 600 LSZH-15,0	15,0 m	black
L00006A0054	MP8 FS 600 LSZH-20,0	20,0 m	black
L00006A0055	MP8 FS 600 LSZH-25,0	25,0 m	black
L00006A0056	MP8 FS 600 LSZH-50,0	50,0 m	black

6.2

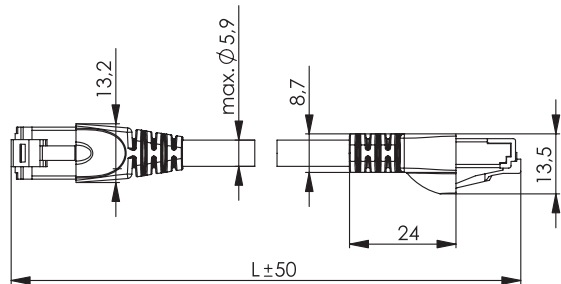
6

Light and Heavy Duty Patch Cords

6.2

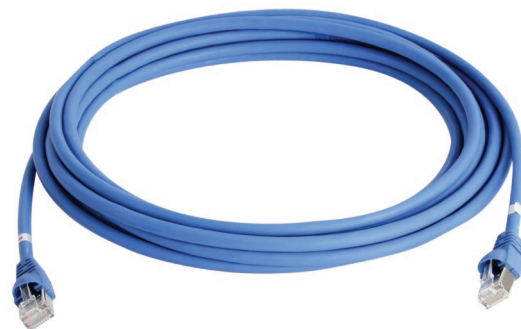
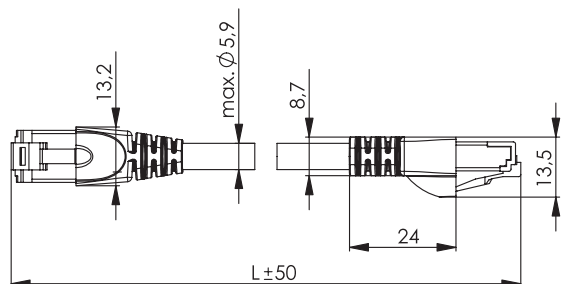
Office Patch Cords

6.2.1 | Cat.7 - Wiring 1:1 - S/FTP (LSZH) - shielded



Order no.	Short name	Length	Colour
L00000A0130	MP8 FS 600 LSZH-0,5	0,5 m	white
L00000A0131	MP8 FS 600 LSZH-1,0	1,0 m	white
L00001A0123	MP8 FS 600 LSZH-2,0	2,0 m	white
L00002A0141	MP8 FS 600 LSZH-3,0	3,0 m	white
L00003A0085	MP8 FS 600 LSZH-5,0	5,0 m	white
L00004A0071	MP8 FS 600 LSZH-7,5	7,5 m	white
L00005A0051	MP8 FS 600 LSZH-10,0	10,0 m	white

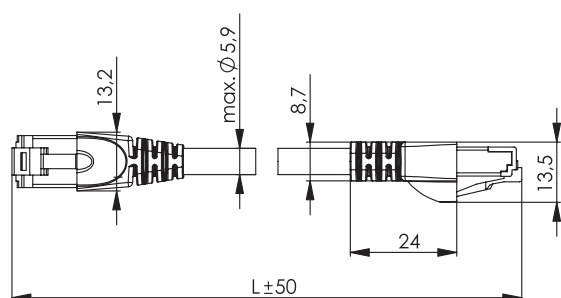
6.2.2 | Cat.7 - Measuring Cable Wiring 1:1 - S/FTP (LSZH) - shielded



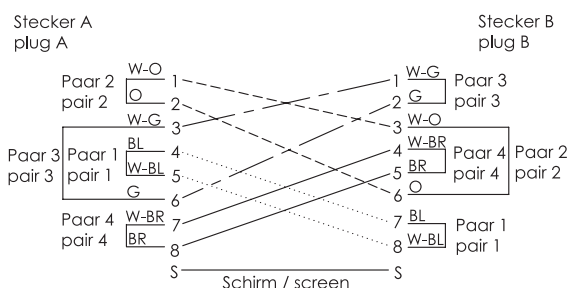
Order no.	Short name	Remarks	Length	Colour
L00003A0049	MP8 FS 600 LSZH-5,0	Telegärtner measuring cable for channel adaptor Class E	5,0 m	blue

Light and Heavy Duty Patch Cords

Cat.7 - Crossover - S/FTP (LSZH) - shielded | 6.2.3



Schaltbild / Connection Diagram



Order no.	Short name	Length	Cable boot colour	Colour
L00000A0102	MP8 FS 600 LSZH Crossover 10/100/1000 BT-0,5	0,5 m	yellow	grey
L00000A0103	MP8 FS 600 LSZH Crossover 10/100/1000 BT-1,0	1,0 m	yellow	grey
L00001A0099	MP8 FS 600 LSZH Crossover 10/100/1000 BT-2,0	2,0 m	yellow	grey
L00002A0120	MP8 FS 600 LSZH Crossover 10/100/1000 BT-3,0	3,0 m	yellow	grey
L00003A0067	MP8 FS 600 LSZH Crossover 10/100/1000 BT-5,0	5,0 m	yellow	grey
L00004A0064	MP8 FS 600 LSZH Crossover 10/100/1000 BT-7,5	7,5 m	yellow	grey
L00005A0035	MP8 FS 600 LSZH Crossover 10/100/1000 BT-10,0	10,0 m	yellow	grey

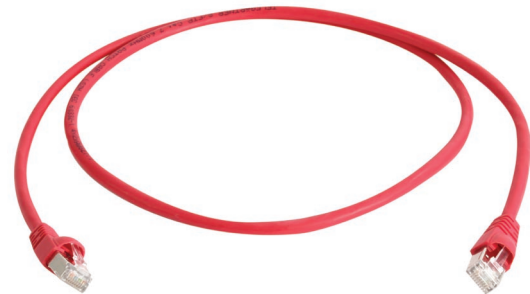
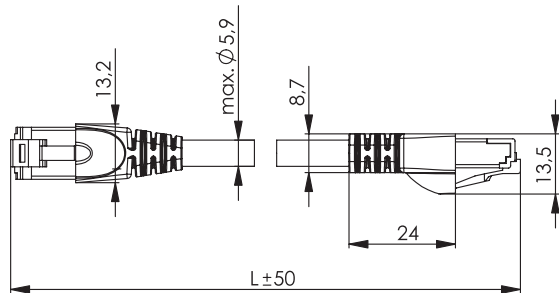
6

Light and Heavy Duty Patch Cords

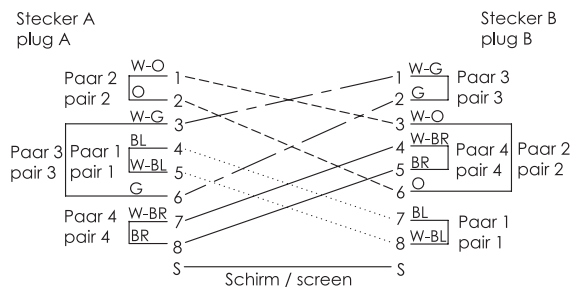
6.2

Office Patch Cords

6.2.3 | Cat.7 - Crossover - S/FTP (LSZH) - shielded



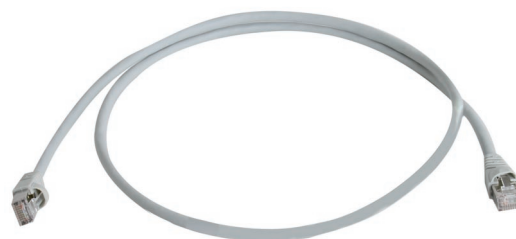
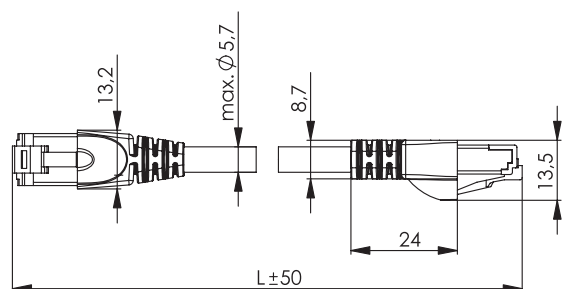
Schaltbild / Connection Diagram



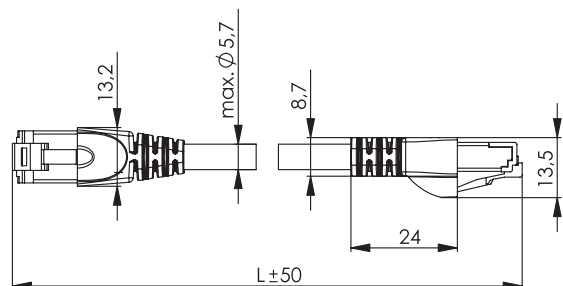
Order no.	Short name	Length	Colour
L00000A0118	MP8 FS 600 LSZH Crossover 10/100/1000 BT-0,5	0,5 m	red
L00000A0120	MP8 FS 600 LSZH Crossover 10/100/1000 BT-1,0	1,0 m	red
L00001A0117	MP8 FS 600 LSZH Crossover 10/100/1000 BT-2,0	2,0 m	red
L00002A0139	MP8 FS 600 LSZH Crossover 10/100/1000 BT-3,0	3,0 m	red
L00003A0078	MP8 FS 600 LSZH Crossover 10/100/1000 BT-5,0	5,0 m	red

Light and Heavy Duty Patch Cords

Cat.5e - Wiring 1:1 - F/UTP (PVC) - shielded | 6.2.4



Order no.	Short name	Length	Colour
L00000D0016	MP8 FS 100-0,25	0,25 m	grey
L00000D0008	MP8 FS 100-0,5	0,5 m	grey
L00000D0009	MP8 FS 100-1,0	1,0 m	grey
L00001D0006	MP8 FS 100-1,5	1,5 m	grey
L00001D0004	MP8 FS 100-2,0	2,0 m	grey
L00002D0006	MP8 FS 100-2,5	2,5 m	grey
L00002D0005	MP8 FS 100-3,0	3,0 m	grey
L00003D0002	MP8 FS 100-5,0	5,0 m	grey
L00004D0002	MP8 FS 100-7,5	7,5 m	grey
L00005D0002	MP8 FS 100-10,0	10,0 m	grey
L00006D0016	MP8 FS 100-15,0	15,0 m	grey
L00006D0057	MP8 FS 100-20,0	20,0 m	grey
L00006D0017	MP8 FS 100-25,0	25,0 m	grey
L00006D0018	MP8 FS 100-50,0	50,0 m	grey



Order no.	Short name	Length	Colour
L00000D0074	MP8 FS 100-0,5	0,5 m	green
L00000D0079	MP8 FS 100-1,0	1,0 m	green
L00001D0073	MP8 FS 100-2,0	2,0 m	green
L00002D0107	MP8 FS 100-3,0	3,0 m	green
L00003D0054	MP8 FS 100-5,0	5,0 m	green
L00004D0057	MP8 FS 100-7,5	7,5 m	green
L00005D0031	MP8 FS 100-10,0	10,0 m	green
L00006D0058	MP8 FS 100-15,0	15,0 m	green
L00006D0059	MP8 FS 100-20,0	20,0 m	green
L00006D0060	MP8 FS 100-25,0	25,0 m	green
L00006D0061	MP8 FS 100-50,0	50,0 m	green

6.2

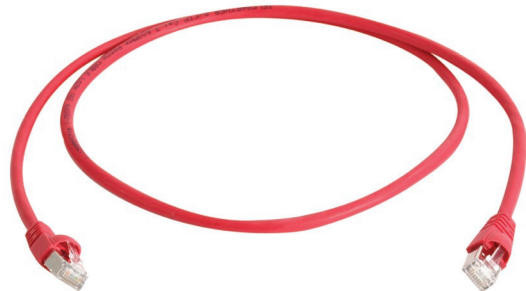
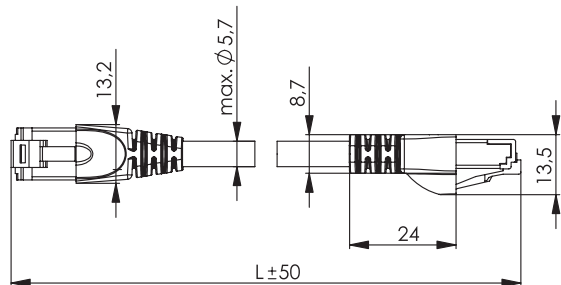
6

Light and Heavy Duty Patch Cords

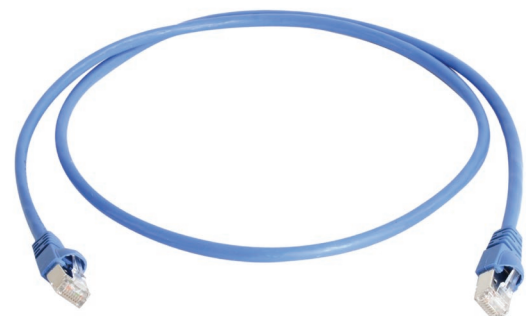
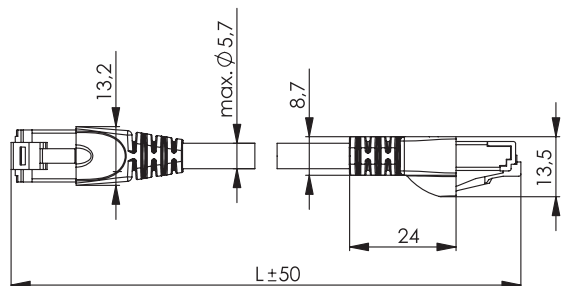
6.2

Office Patch Cords

6.2.4 | Cat.5e - Wiring 1:1 - F/UTP (PVC) - shielded



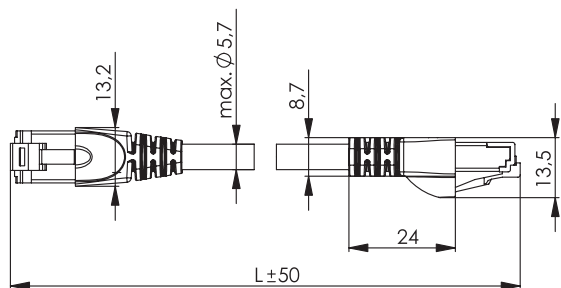
Order no.	Short name	Length	Colour
L00000D0075	MP8 FS 100-0,5	0,5 m	red
L00000D0080	MP8 FS 100-1,0	1,0 m	red
L00001D0074	MP8 FS 100-2,0	2,0 m	red
L00002D0108	MP8 FS 100-3,0	3,0 m	red
L00003D0055	MP8 FS 100-5,0	5,0 m	red
L00004D0058	MP8 FS 100-7,5	7,5 m	red
L00005D0032	MP8 FS 100-10,0	10,0 m	red
L00006D0062	MP8 FS 100-15,0	15,0 m	red
L00006D0063	MP8 FS 100-20,0	20,0 m	red
L00006D0064	MP8 FS 100-25,0	25,0 m	red
L00006D0065	MP8 FS 100-50,0	50,0 m	red



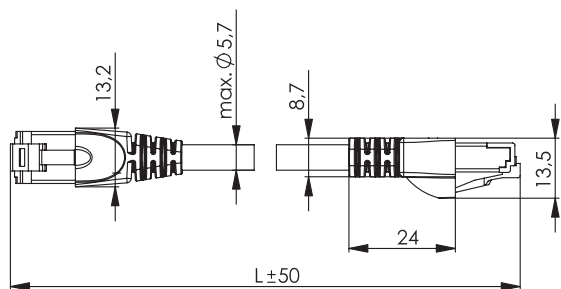
Order no.	Short name	Length	Colour
L00000D0073	MP8 FS 100-0,5	0,5 m	blue
L00000D0078	MP8 FS 100-1,0	1,0 m	blue
L00001D0072	MP8 FS 100-2,0	2,0 m	blue
L00002D0106	MP8 FS 100-3,0	3,0 m	blue
L00003D0053	MP8 FS 100-5,0	5,0 m	blue
L00004D0056	MP8 FS 100-7,5	7,5 m	blue
L00005D0030	MP8 FS 100-10,0	10,0 m	blue
L00006D0066	MP8 FS 100-15,0	15,0 m	blue
L00006D0067	MP8 FS 100-20,0	20,0 m	blue
L00006D0068	MP8 FS 100-25,0	25,0 m	blue
L00006D0069	MP8 FS 100-50,0	50,0 m	blue

Light and Heavy Duty Patch Cords

6



Order no.	Short name	Length	Colour
L00000D0076	MP8 FS 100-0,5	0,5 m	yellow
L00000D0081	MP8 FS 100-1,0	1,0 m	yellow
L00001D0075	MP8 FS 100-2,0	2,0 m	yellow
L00002D0109	MP8 FS 100-3,0	3,0 m	yellow
L00003D0056	MP8 FS 100-5,0	5,0 m	yellow
L00004D0059	MP8 FS 100-7,5	7,5 m	yellow
L00005D0033	MP8 FS 100-10,0	10,0 m	yellow
L00006D0070	MP8 FS 100-15,0	15,0 m	yellow
L00006D0071	MP8 FS 100-20,0	20,0 m	yellow
L00006D0072	MP8 FS 100-25,0	25,0 m	yellow
L00006D0073	MP8 FS 100-50,0	50,0 m	yellow



Order no.	Short name	Length	Colour
L00000D0087	MP8 FS 100-0,5	0,5 m	black
L00000D0088	MP8 FS 100-1,0	1,0 m	black
L00001D0093	MP8 FS 100-2,0	2,0 m	black
L00002D0121	MP8 FS 100-3,0	3,0 m	black
L00003D0061	MP8 FS 100-5,0	5,0 m	black
L00004D0061	MP8 FS 100-7,5	7,5 m	black
L00005D0034	MP8 FS 100-10,0	10,0 m	black
L00006D0074	MP8 FS 100-15,0	15,0 m	black
L00006D0075	MP8 FS 100-20,0	20,0 m	black
L00006D0076	MP8 FS 100-25,0	25,0 m	black
L00006D0077	MP8 FS 100-50,0	50,0 m	black

6.2

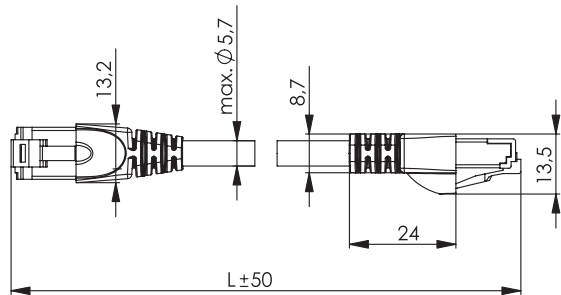
6

Light and Heavy Duty Patch Cords

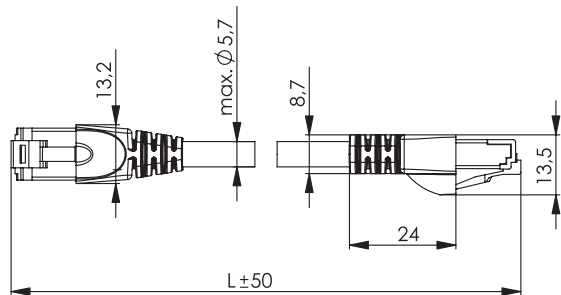
6.2

Office Patch Cords

6.2.5 | Cat.5e - Wiring 1:1 - F/UTP (LSZH) - shielded



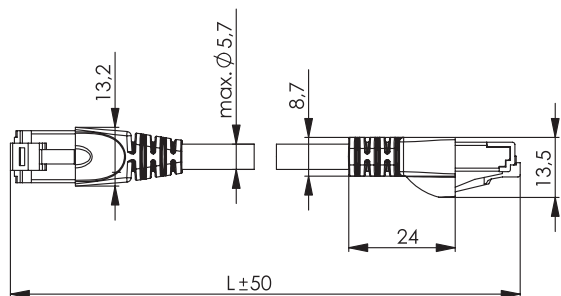
Order no.	Short name	Length	Colour
L00000D0035	MP8 FS 100 LSZH-0,5	0,5 m	grey
L00000D0026	MP8 FS 100 LSZH-1,0	1,0 m	grey
L00001D0036	MP8 FS 100 LSZH-2,0	2,0 m	grey
L00002D0080	MP8 FS 100 LSZH-3,0	3,0 m	grey
L00003D0030	MP8 FS 100 LSZH-5,0	5,0 m	grey
L00004D0041	MP8 FS 100 LSZH-7,5	7,5 m	grey
L00005D0035	MP8 FS 100 LSZH-10,0	10,0 m	grey
L00006D0078	MP8 FS 100 LSZH-15,0	15,0 m	grey
L00006D0079	MP8 FS 100 LSZH-20,0	20,0 m	grey
L00006D0080	MP8 FS 100 LSZH-25,0	25,0 m	grey
L00006D0081	MP8 FS 100 LSZH-50,0	50,0 m	grey



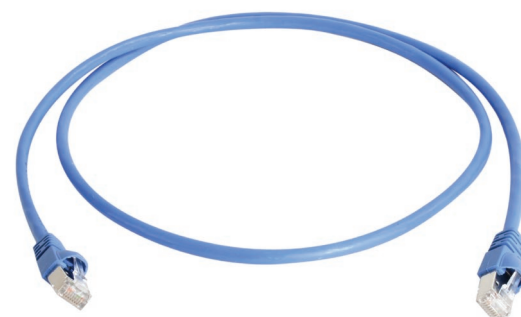
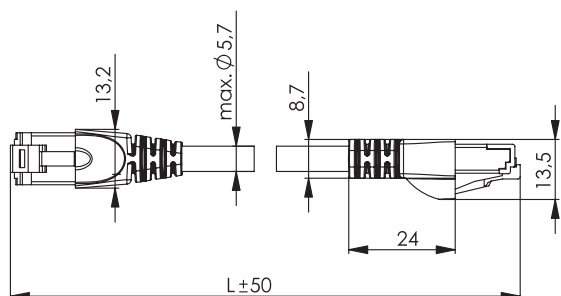
Order no.	Short name	Length	Colour
L00000D0034	MP8 FS 100 LSZH-0,5	0,5 m	green
L00000D0025	MP8 FS 100 LSZH-1,0	1,0 m	green
L00001D0035	MP8 FS 100 LSZH-2,0	2,0 m	green
L00002D0079	MP8 FS 100 LSZH-3,0	3,0 m	green
L00003D0029	MP8 FS 100 LSZH-5,0	5,0 m	green
L00004D0040	MP8 FS 100 LSZH-7,5	7,5 m	green
L00005D0036	MP8 FS 100 LSZH-10,0	10,0 m	green
L00006D0082	MP8 FS 100 LSZH-15,0	15,0 m	green
L00006D0083	MP8 FS 100 LSZH-20,0	20,0 m	green
L00006D0084	MP8 FS 100 LSZH-25,0	25,0 m	green
L00006D0085	MP8 FS 100 LSZH-50,0	50,0 m	green

Light and Heavy Duty Patch Cords

6



Order no.	Short name	Length	Colour
L00000D0031	MP8 FS 100 LSZH-0,5	0,5 m	red
L00000D0022	MP8 FS 100 LSZH-1,0	1,0 m	red
L00001D0032	MP8 FS 100 LSZH-2,0	2,0 m	red
L00002D0076	MP8 FS 100 LSZH-3,0	3,0 m	red
L00003D0026	MP8 FS 100 LSZH-5,0	5,0 m	red
L00004D0037	MP8 FS 100 LSZH-7,5	7,5 m	red
L00005D0037	MP8 FS 100 LSZH-10,0	10,0 m	red
L00006D0086	MP8 FS 100 LSZH-15,0	15,0 m	red
L00006D0087	MP8 FS 100 LSZH-20,0	20,0 m	red
L00006D0088	MP8 FS 100 LSZH-25,0	25,0 m	red
L00006D0089	MP8 FS 100 LSZH-50,0	50,0 m	red



Order no.	Short name	Length	Colour
L00000D0032	MP8 FS 100 LSZH-0,5	0,5 m	blue
L00000D0023	MP8 FS 100 LSZH-1,0	1,0 m	blue
L00001D0033	MP8 FS 100 LSZH-2,0	2,0 m	blue
L00002D0077	MP8 FS 100 LSZH-3,0	3,0 m	blue
L00003D0027	MP8 FS 100 LSZH-5,0	5,0 m	blue
L00004D0038	MP8 FS 100 LSZH-7,5	7,5 m	blue
L00005D0038	MP8 FS 100 LSZH-10,0	10,0 m	blue
L00006D0090	MP8 FS 100 LSZH-15,0	15,0 m	blue
L00006D0091	MP8 FS 100 LSZH-20,0	20,0 m	blue
L00006D0092	MP8 FS 100 LSZH-25,0	25,0 m	blue
L00006D0093	MP8 FS 100 LSZH-50,0	50,0 m	blue

6.2

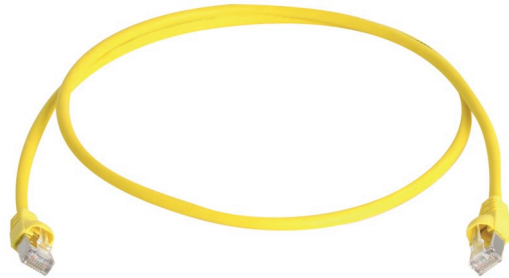
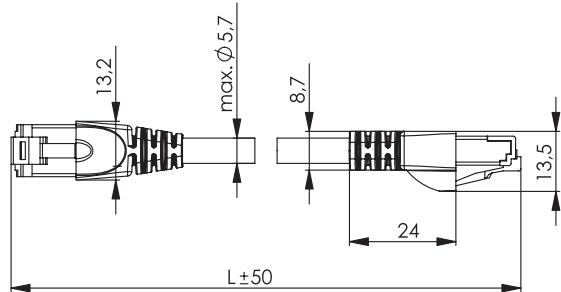
6

Light and Heavy Duty Patch Cords

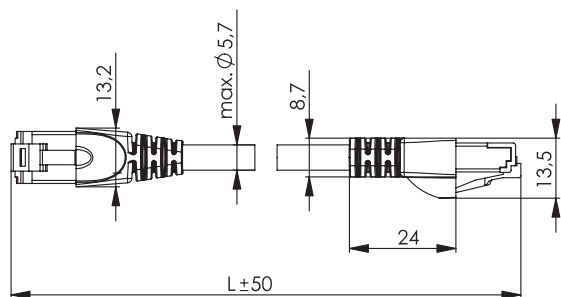
6.2

Office Patch Cords

6.2.5 | Cat.5e - Wiring 1:1 - F/UTP (LSZH) - shielded



Order no.	Short name	Length	Colour
L00000D0033	MP8 FS 100 LSZH-0,5	0,5 m	yellow
L00000D0024	MP8 FS 100 LSZH-1,0	1,0 m	yellow
L00001D0034	MP8 FS 100 LSZH-2,0	2,0 m	yellow
L00002D0078	MP8 FS 100 LSZH-3,0	3,0 m	yellow
L00003D0028	MP8 FS 100 LSZH-5,0	5,0 m	yellow
L00004D0039	MP8 FS 100 LSZH-7,5	7,5 m	yellow
L00005D0039	MP8 FS 100 LSZH-10,0	10,0 m	yellow
L00006D0094	MP8 FS 100 LSZH-15,0	15,0 m	yellow
L00006D0095	MP8 FS 100 LSZH-20,0	20,0 m	yellow
L00006D0096	MP8 FS 100 LSZH-25,0	25,0 m	yellow
L00006D0097	MP8 FS 100 LSZH-50,0	50,0 m	yellow



Order no.	Short name	Length	Colour
L00000D0089	MP8 FS 100 LSZH-0,5	0,5 m	black
L00000D0090	MP8 FS 100 LSZH-1,0	1,0 m	black
L00001D0095	MP8 FS 100 LSZH-2,0	2,0 m	black
L00002D0123	MP8 FS 100 LSZH-3,0	3,0 m	black
L00003D0062	MP8 FS 100 LSZH-5,0	5,0 m	black
L00004D0062	MP8 FS 100 LSZH-7,5	7,5 m	black
L00005D0040	MP8 FS 100 LSZH-10,0	10,0 m	black
L00006D0098	MP8 FS 100 LSZH-15,0	15,0 m	black
L00006D0099	MP8 FS 100 LSZH-20,0	20,0 m	black
L00006D0100	MP8 FS 100 LSZH-25,0	25,0 m	black
L00006D0101	MP8 FS 100 LSZH-50,0	50,0 m	black

Light and Heavy Duty Patch Cords

TICNET Cable Assembly Configurator on the Internet

Using the new TICNET-Internet configurator, distributors and contractors can design their FO and copper cable assemblies to meet their exact requirements.

The TICNET-Configurator enables you to put together the cable and suitable connectors in a few clear, easy-to-follow steps, whereby only combinations which are actually

possible can come into consideration. Customised RJ45 cables to connect office to shopfloor production can be designed, in any length required and with IP protection classification from IP20 to IP67, or combinations of these to suit harsh industrial environments.

- made-to-measure quality production „Made in Germany“
- quick capacity of reaction
- labelling to customer's specifications on request
- delivery with test record for optimum documentation on request
- wide range of raw cables with optimum transmission values, suitable for your purposes
- highly flexible cable builder; any useful length-, cable- and plug selection
- shielded RJ45 plugs acc. to Cat.6 DIN EN 60603-7-5



www.telegaertner.com/ticnet/english

TICNET configurator on www.telegaertner.com/ticnet/english

